

K00

FITTING INSTRUCTIONS

Use with 405U/406U instructions

Load carrier for cars with roof pockets or removeable roof trim



KIT CONTENTS

Description

Description	Qty
Gutter clamp	4
Pozi pan head screw	4
Plain washer	4
Square nut	4

Remove the standard gutter clamp (A), handwheel (B), plain washer (C) and coach bolt (D) from the 405U/406U bars/rack (Diagram 1) and replace with the gutter clamp (E), pozi pan head screw (F), plain washer (G) and square nut (H) from the K00 fitting kit. (Diagram 2)

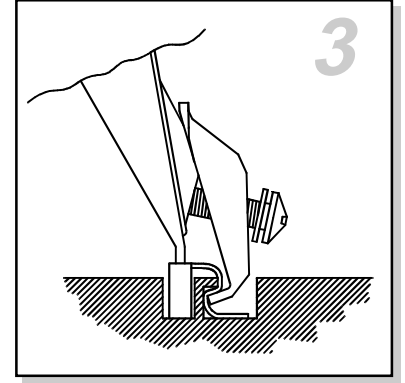
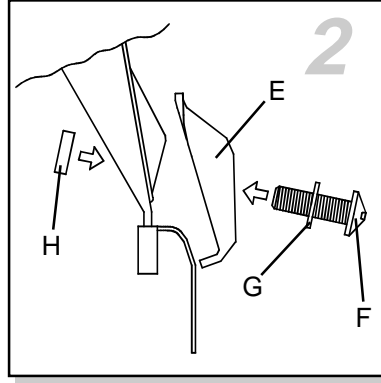
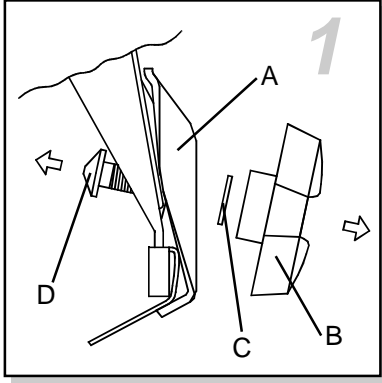
Vehicles with sliding roof pockets - The vehicles have pockets in the plastic strips running front to back on each side of the roof, slide these back and fix your bars/rack in position as shown. (Diagram 3). (Early Mitsubishi Galants require the removal of a screw to reveal the roof pockets).

Vehicles with removable roof trim - The vehicles have plastic trim running front to back of the roof on each side that need to be removed to allow the bars/rack to be fitted, this needs care to avoid damaging the trim. Once the trim has been removed, fix the bars/rack as shown. (Diagram 3). Refit the trim when the bars are removed. (if it is to remain fitted, the trim can be cut and fitted around the bars/rack.)

Assemble and fit all other components as main product instructions describe.

Once fitted regularly check that the bars are secure and firmly attached to your vehicle.

Now read the 'Caution Notes' included in the 405U/406U instructions.



NOTE :- The manufacturer operates a policy of continuous development, and reserves the right to alter specifications without prior notice. Therefore due to the possibility of improved design, contents may vary from those shown. In the event of parts missing from your kit, or fitting difficulties, telephone our help line on 01525 850800. Manufactured in the UK by Paddy Hopkirk Ltd, Eden Way, Pages Industrial Park, Leighton Buzzard, LU7 8TZ

PI259 Issue A

K00

FITTING INSTRUCTIONS

Use with 405U/406U instructions

Load carrier for cars with roof pockets or removeable roof trim



KIT CONTENTS

Description

Description	Qty
Gutter clamp	4
Pozi pan head screw	4
Plain washer	4
Square nut	4

Remove the standard gutter clamp (A), handwheel (B), plain washer (C) and coach bolt (D) from the 405U/406U bars/rack (Diagram 1) and replace with the gutter clamp (E), pozi pan head screw (F), plain washer (G) and square nut (H) from the K00 fitting kit. (Diagram 2)

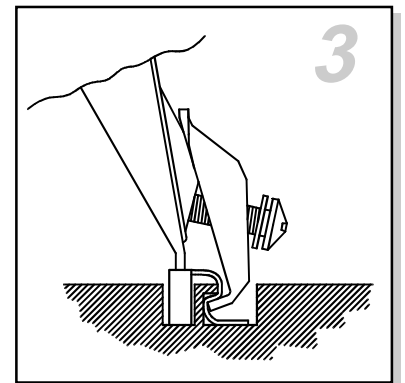
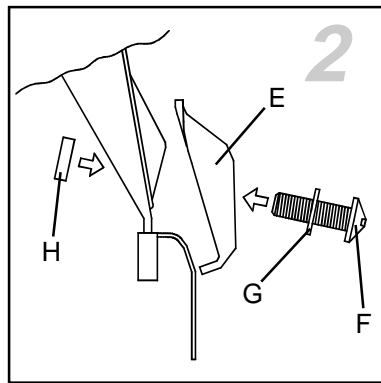
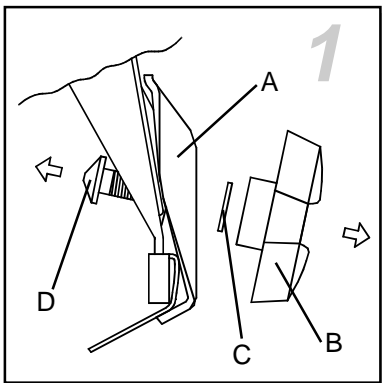
Vehicles with sliding roof pockets - The vehicles have pockets in the plastic strips running front to back on each side of the roof, slide these back and fix your bars/rack in position as shown. (Diagram 3). (Early Mitsubishi Galants require the removal of a screw to reveal the roof pockets).

Vehicles with removable roof trim - The vehicles have plastic trim running front to back of the roof on each side that need to be removed to allow the bars/rack to be fitted, this needs care to avoid damaging the trim. Once the trim has been removed, fix the bars/rack as shown. (Diagram 3). Refit the trim when the bars are removed. (if it is to remain fitted, the trim can be cut and fitted around the bars/rack.)

Assemble and fit all other components as main product instructions describe.

Once fitted regularly check that the bars are secure and firmly attached to your vehicle.

Now read the 'Caution Notes' included in the 405U/406U instructions.



NOTE :- The manufacturer operates a policy of continuous development, and reserves the right to alter specifications without prior notice. Therefore due to the possibility of improved design, contents may vary from those shown. In the event of parts missing from your kit, or fitting difficulties, telephone our help line on 01525 850800. Manufactured in the UK by Paddy Hopkirk Ltd, Eden Way, Pages Industrial Park, Leighton Buzzard, LU7 8TZ

PI259 Issue A