

K05

FITTING INSTRUCTIONS

Use with 401U/402U instructions
Load carrier for cars without rain gutters



KIT CONTENTS

Description

Outer clamp 113219

Qty

4

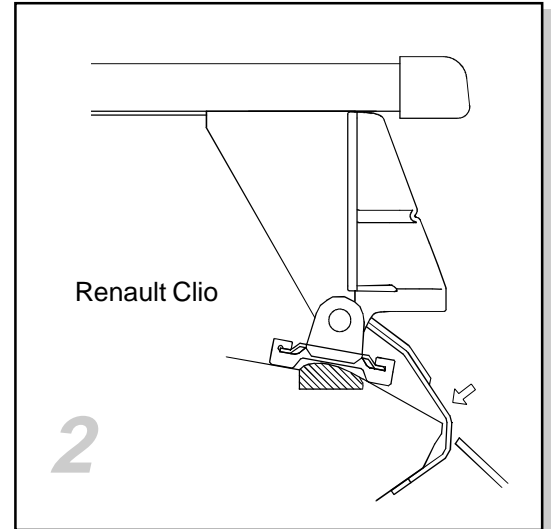
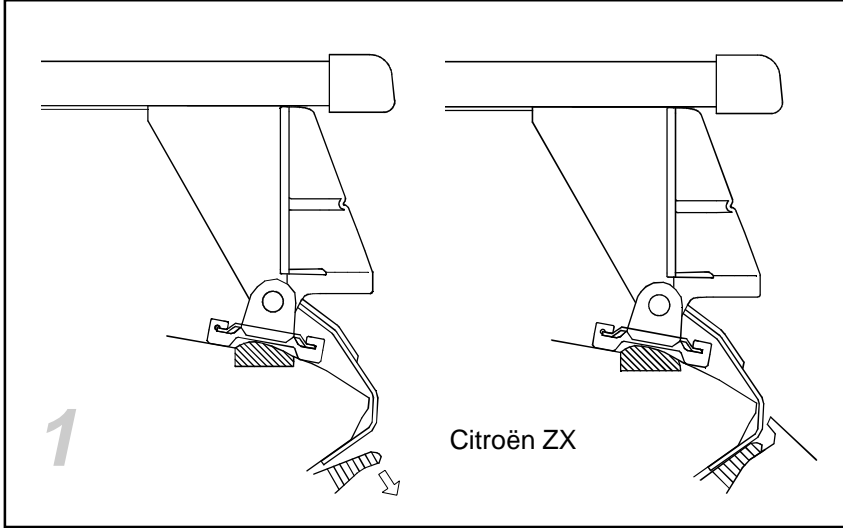
When fitting to the Citroën ZX ensure that the rubber moulding around the door is pulled down and the outer clamp is inserted between the rubber moulding and the vehicle body. (Diagram 1).

When fitting to the Renault Clio 3dr or 5dr Hatch ensure that the outer clamp is pressed firmly against the edge of the roof to achieve a secure fit. (Diagram 2).

Assemble and fit all other components as main product instructions describe.

Once fitted regularly check that the bars are secure and firmly attached to your vehicle.

Now read the 'Caution Notes' included in the 401U/402U instructions.



NOTE :- The manufacturer operates a policy of continuous development, and reserves the right to alter specifications without prior notice. Therefore due to the possibility of improved design, contents may vary from those shown. In the event of parts missing from your kit, or fitting difficulties, telephone our help line on 01525 850800. Manufactured in the UK by Paddy Hopkirk Ltd, Eden Way, Pages Industrial Park, Leighton Buzzard, LU7 8TZ

PI261 Issue A

K05

FITTING INSTRUCTIONS

Use with 401U/402U instructions
Load carrier for cars without rain gutters



KIT CONTENTS

Description

Outer clamp 113219

Qty

4

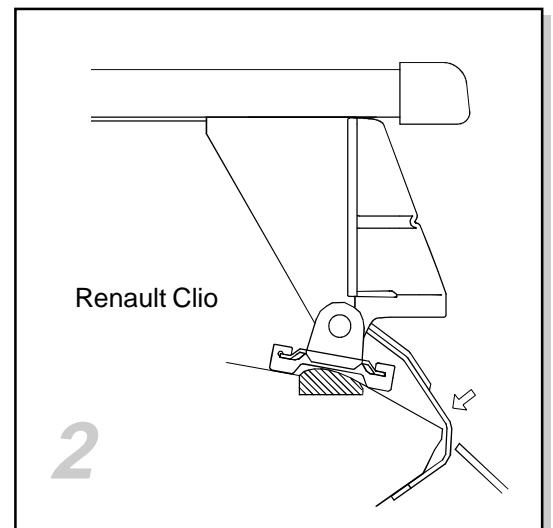
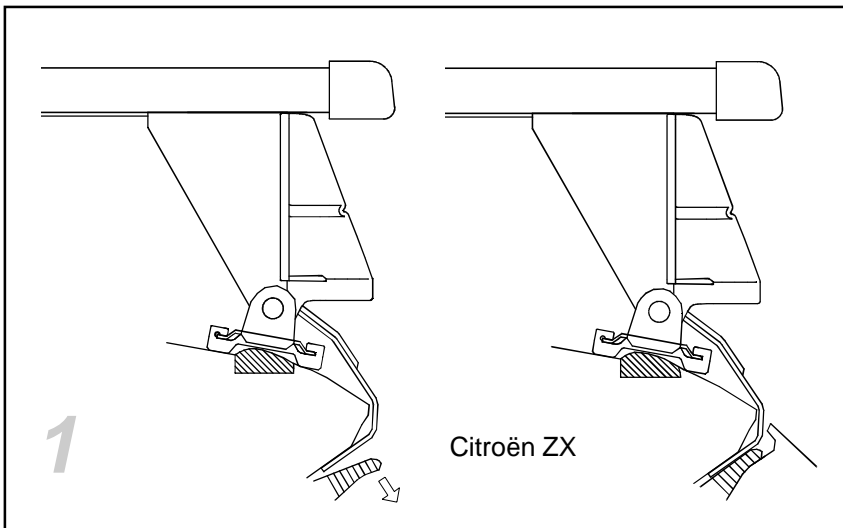
When fitting to the Citroën ZX ensure that the rubber moulding around the door is pulled down and the outer clamp is inserted between the rubber moulding and the vehicle body. (Diagram 1).

When fitting to the Renault Clio 3dr or 5dr Hatch ensure that the outer clamp is pressed firmly against the edge of the roof to achieve a secure fit. (Diagram 2).

Assemble and fit all other components as main product instructions describe.

Once fitted regularly check that the bars are secure and firmly attached to your vehicle.

Now read the 'Caution Notes' included in the 401U/402U instructions.



NOTE :- The manufacturer operates a policy of continuous development, and reserves the right to alter specifications without prior notice. Therefore due to the possibility of improved design, contents may vary from those shown. In the event of parts missing from your kit, or fitting difficulties, telephone our help line on 01525 850800. Manufactured in the UK by Paddy Hopkirk Ltd, Eden Way, Pages Industrial Park, Leighton Buzzard, LU7 8TZ

PI261 Issue A