

# K11

## FITTING INSTRUCTIONS

Use with 401U/402U instructions  
Load carrier for cars without rain gutters



### KIT CONTENTS

#### Description

Outer clamp 113231

#### Qty

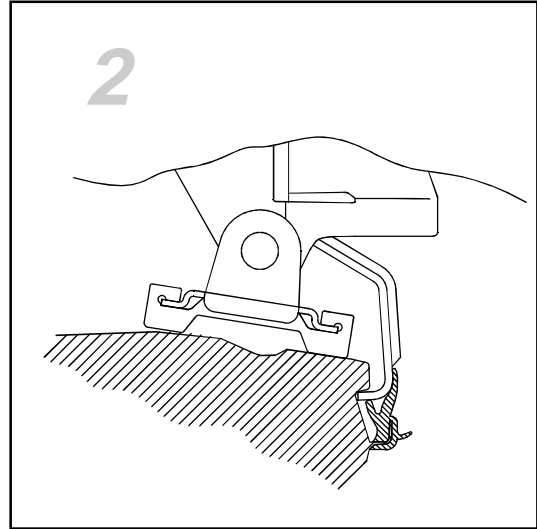
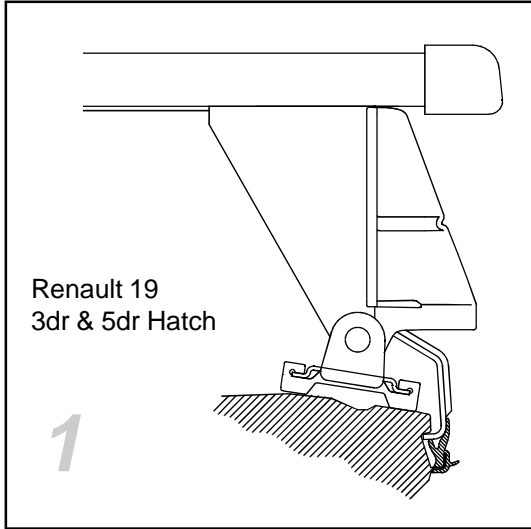
4

When fitting to this vehicle the outer clamps fit into a recess above the doors. Gently pull down the rubber moulding above the doors and insert the outer clamp between the rubber moulding and the vehicle body. (Diagram 1 & 2).

Assemble and fit all other components as main product instructions describe.

Once fitted regularly check that the bars are secure and firmly attached to your vehicle.

Now read the 'Caution Notes' included in the 401U/402U instructions.



NOTE :- The manufacturer operates a policy of continuous development, and reserves the right to alter specifications without prior notice. Therefore due to the possibility of improved design, contents may vary from those shown. In the event of parts missing from your kit, or fitting difficulties, telephone our help line on 01525 850800. Manufactured in the UK by Paddy Hopkirk Ltd, Eden Way, Pages Industrial Park, Leighton Buzzard, LU7 8TZ

PI264 Issue A

# K11

## FITTING INSTRUCTIONS

Use with 401U/402U instructions  
Load carrier for cars without rain gutters



### KIT CONTENTS

#### Description

Outer clamp 113231

#### Qty

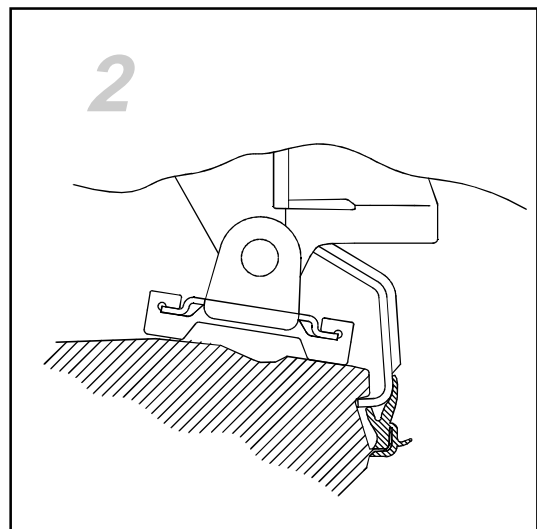
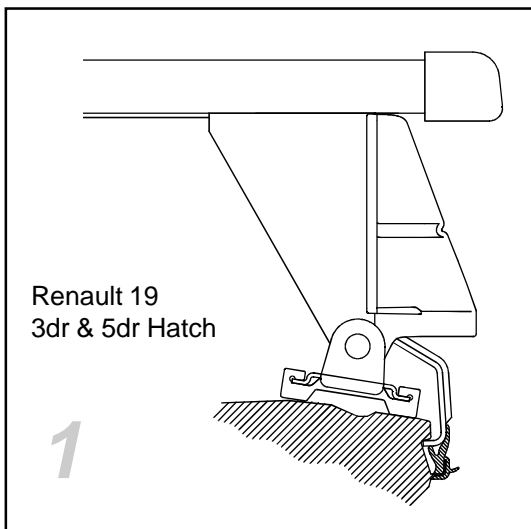
4

When fitting to this vehicle the outer clamps fit into a recess above the doors. Gently pull down the rubber moulding above the doors and insert the outer clamp between the rubber moulding and the vehicle body. (Diagram 1 & 2).

Assemble and fit all other components as main product instructions describe.

Once fitted regularly check that the bars are secure and firmly attached to your vehicle.

Now read the 'Caution Notes' included in the 401U/402U instructions.



NOTE :- The manufacturer operates a policy of continuous development, and reserves the right to alter specifications without prior notice. Therefore due to the possibility of improved design, contents may vary from those shown. In the event of parts missing from your kit, or fitting difficulties, telephone our help line on 01525 850800. Manufactured in the UK by Paddy Hopkirk Ltd, Eden Way, Pages Industrial Park, Leighton Buzzard, LU7 8TZ

PI264 Issue A