

K23

FITTING INSTRUCTIONS

Use with 401/401N instructions

Load carrier for cars without rain gutters

KIT CONTENTS

Description	Qty
Outer clamp 113251	2
Outer clamp 113252	2
Self adhesive pads	2
Plastic card	1

Each bar requires different clamps to be fitted. For the front bar the 2 clamps numbered 113251 should be fitted and for the rear bar the 2 clamps numbered 113252 should be fitted.

When positioning the bars the distance between each must be 880mm, the bars positioned as shown. (Diagram 1).

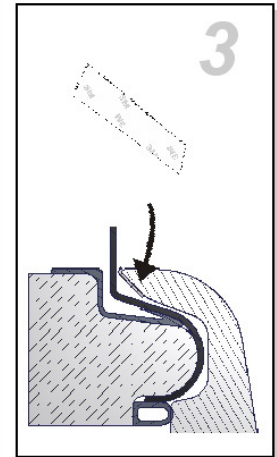
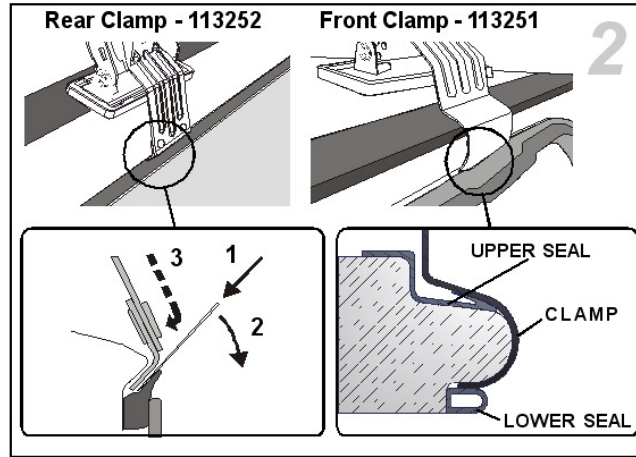
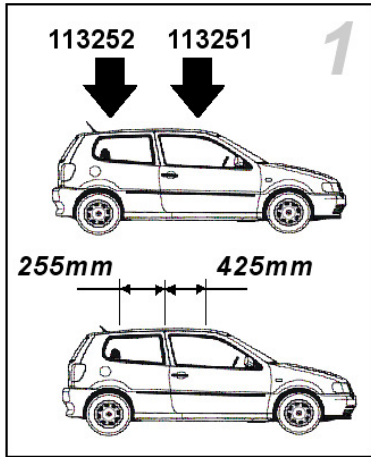
For the front bar pull down the rubber in the door aperture and locate the clamp firmly against the edge of the roof. For the rear bar pull the window rubber down using the plastic card and locate the clamp firmly against the edge of the roof. (Diagram 2).

Fit the 2 self adhesive pads on the inside of the front door to prevent damage to paintwork. (Diagram 3).

Assemble and fit all other components as main product instructions describe.

Once fitted regularly check that the bars are secure and firmly attached to your vehicle.

Now read the 'Caution Notes' included in the 401/401N instructions.



NOTE:- The manufacturer operates a policy of continuous development, and reserves the right to alter specifications without prior notice. Therefore due to the possibility of improved design, contents may vary from those shown. In the event of parts missing from your kit, or fitting difficulties, telephone our help line on 01525 850800. Email: sales@montblancuk.co.uk www.montblancuk.co.uk

Manufactured in the UK by Mont Blanc Industri Uk Ltd., Eden Way, Pages Industrial Park, Leighton Buzzard, LU7 4TZ

PI362-03

K23

FITTING INSTRUCTIONS

Use with 401/401N instructions

Load carrier for cars without rain gutters

KIT CONTENTS

Description	Qty
Outer clamp 113251	2
Outer clamp 113252	2
Self adhesive pads	2
Plastic card	1

Each bar requires different clamps to be fitted. For the front bar the 2 clamps numbered 113251 should be fitted and for the rear bar the 2 clamps numbered 113252 should be fitted.

When positioning the bars the distance between each must be 880mm, the bars positioned as shown. (Diagram 1).

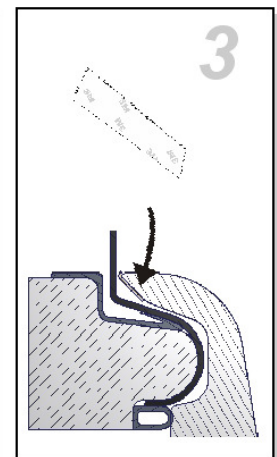
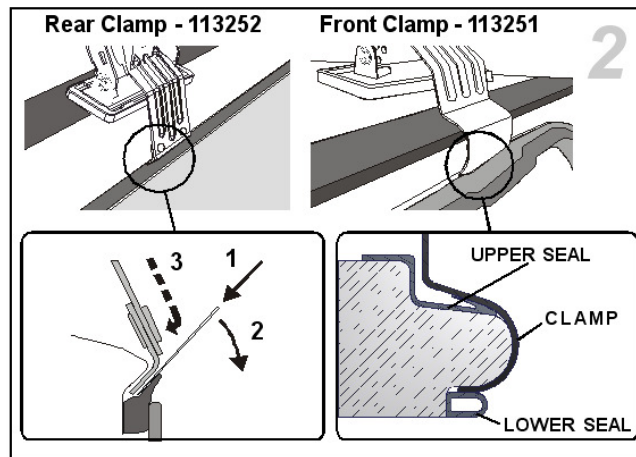
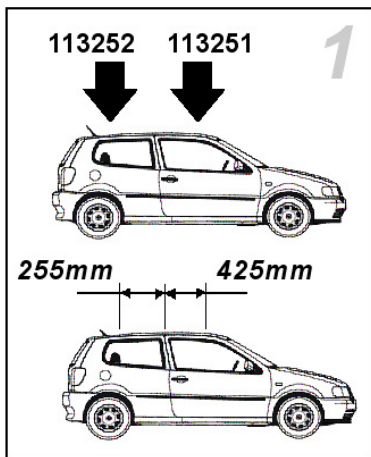
For the front bar pull down the rubber in the door aperture and locate the clamp firmly against the edge of the roof. For the rear bar pull the window rubber down using the plastic card and locate the clamp firmly against the edge of the roof. (Diagram 2).

Fit the 2 self adhesive pads on the inside of the front door to prevent damage to paintwork. (Diagram 3).

Assemble and fit all other components as main product instructions describe.

Once fitted regularly check that the bars are secure and firmly attached to your vehicle.

Now read the 'Caution Notes' included in the 401/401N instructions.



NOTE:- The manufacturer operates a policy of continuous development, and reserves the right to alter specifications without prior notice. Therefore due to the possibility of improved design, contents may vary from those shown. In the event of parts missing from your kit, or fitting difficulties, telephone our help line on 01525 850800. Email: sales@montblancuk.co.uk www.montblancuk.co.uk

Manufactured in the UK by Mont Blanc Industri Uk Ltd., Eden Way, Pages Industrial Park, Leighton Buzzard, LU7 4TZ

PI362-03