

4

to

12

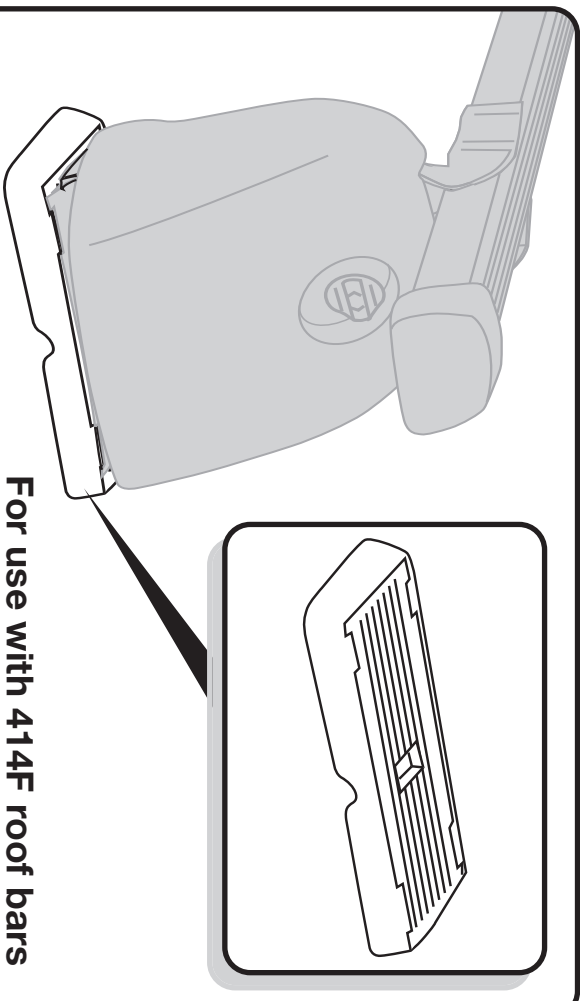
Return to 414F instructions, steps 4-12 to complete roof bar fitment. Read Important Notes and Special Instructions. Retain all instructions for future reference.

MONT BLANC®

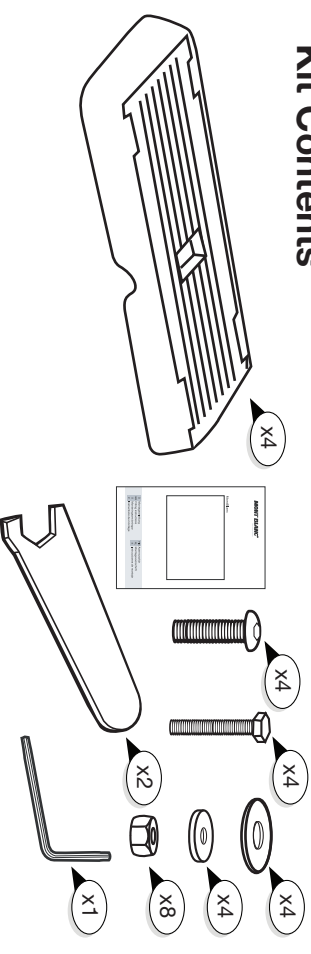
Fitting Kit

Fitting Instructions

K501



Kit Contents



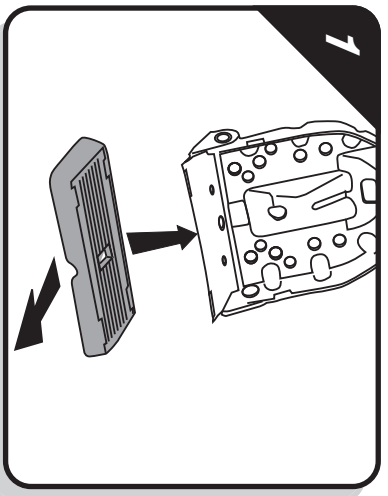
MONT BLANC®

Mont Blanc Industri UK Limited

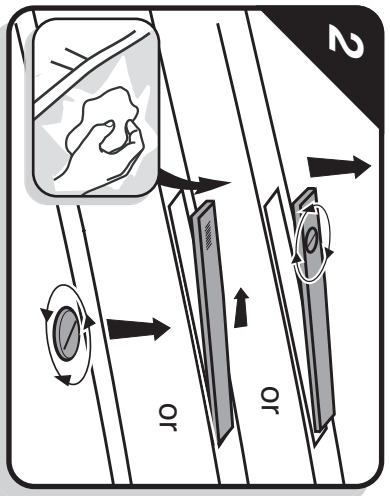
Eden Way, Pages Industrial Park, Leighton Buzzard,
Bedfordshire, LU7 4TZ England

Telephone: 01525 850800 Fax: 01525 850808
sales@montblancuk.co.uk www.montblancuk.co.uk

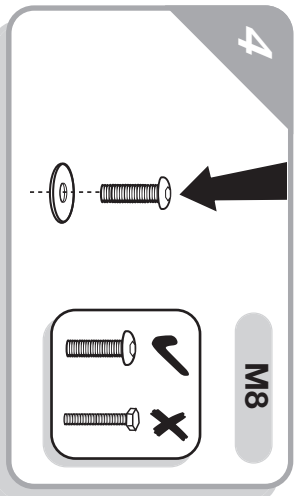
461005-00



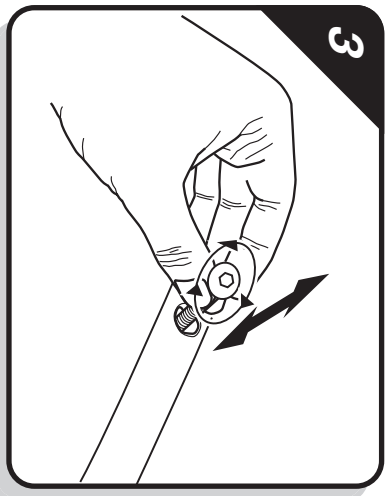
Attach the rubber to the roof unit of the roof bar. Make sure that the window in the rubber is towards the outside. Locate the rubbers ensuring all four mounting tabs are engaged to the foot plate.



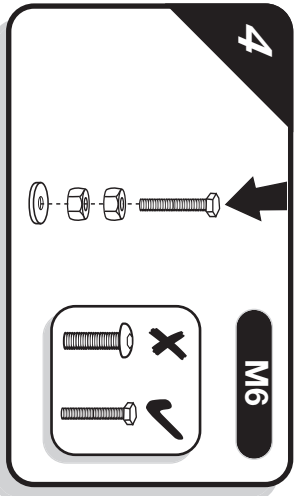
Remove the fixing cover on the roof of the vehicle to reveal the fixing point. The fixing point may be covered by tape, sealant, or plugged. This will need to be carefully removed.



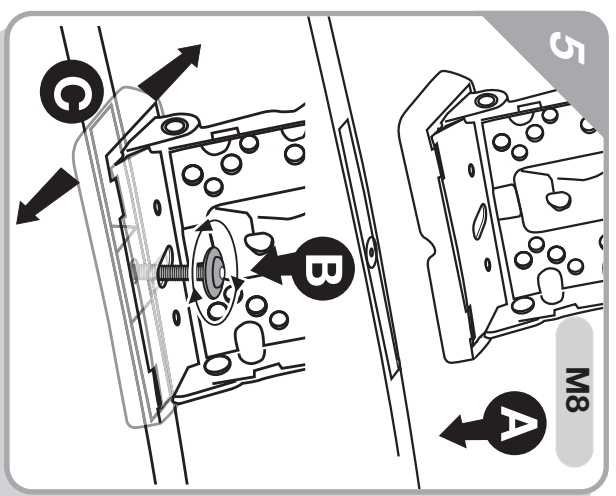
For M8 fittings use M8 button head screw and M8 washer.



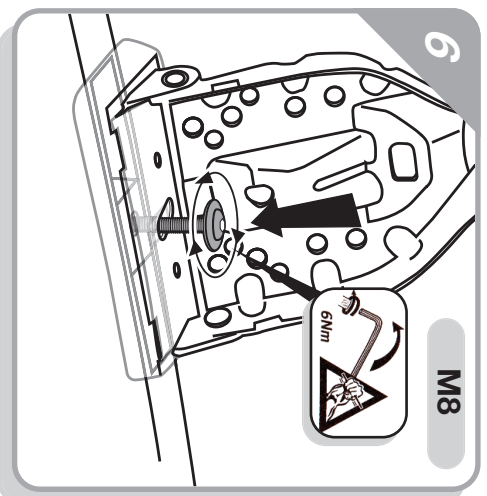
Make sure that the thread in your vehicles fixing point is clear and free from debris. This can be achieved by using the appropriate screw size from the kit and working it up and down in the fixing a few times. Do not force the screw.



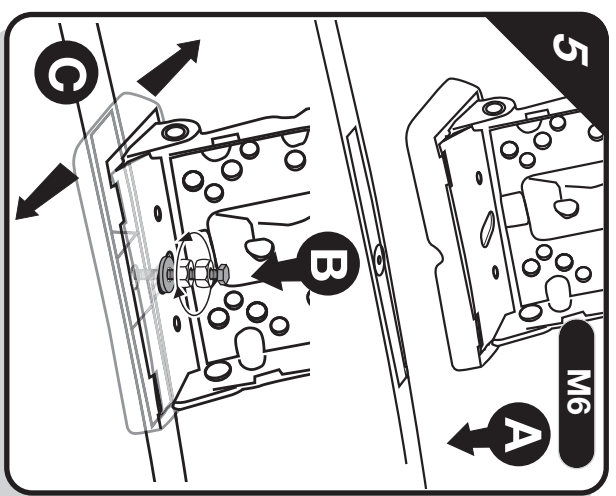
For M6 fittings use M6 hex head screw. Assemble 2x M6 nuts onto screw and then add M6 thick washer.



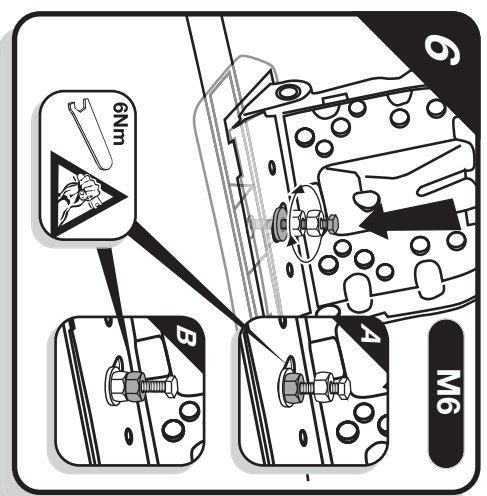
Locate the foot over the open roof pocket (A). Insert the M8 screw and washer through the slot in the foot plate and into the fixing point, but do not tighten (B). Slide the foot to the most suitable and stable position for your roof using the slot in the foot plate. (C)



Secure the foot to the roof by tightening the screw. Tighten to 6Nm.



Locate the foot over the open roof pocket (A). Insert the M6 screw with nuts and washer through the foot plate and into the fixing point until it stops (B) - do not over tighten but ensure at least 6 full turns. Slide the foot to the most suitable and stable position for your roof using the slot in the foot plate (C).



Secure the foot to the roof by tightening the lower M6 nut to the foot plate (A) using the supplied spanner. Finally use the second M6 nut to lock the securing nut in position (B) using the second supplied spanner.