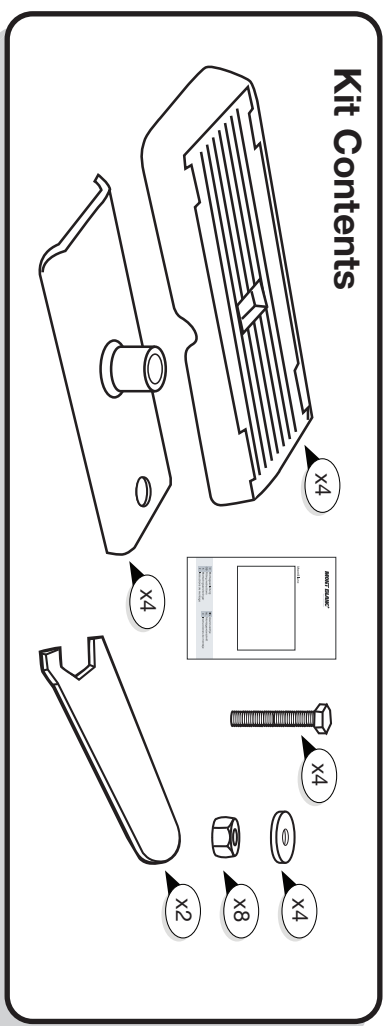
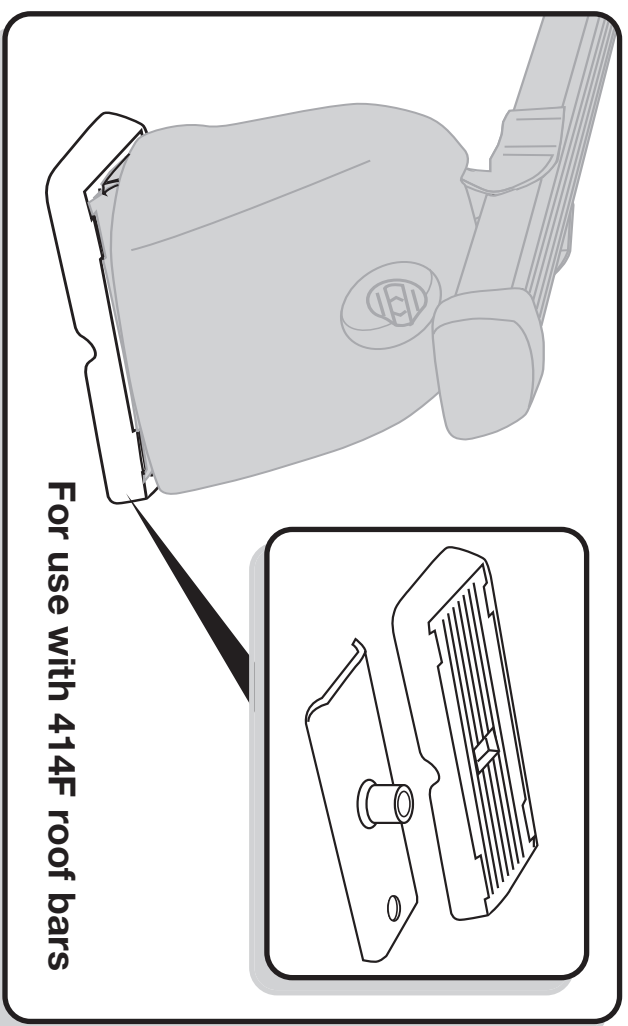


MONT BLANC®

Fitting Kit Fitting Instructions K502

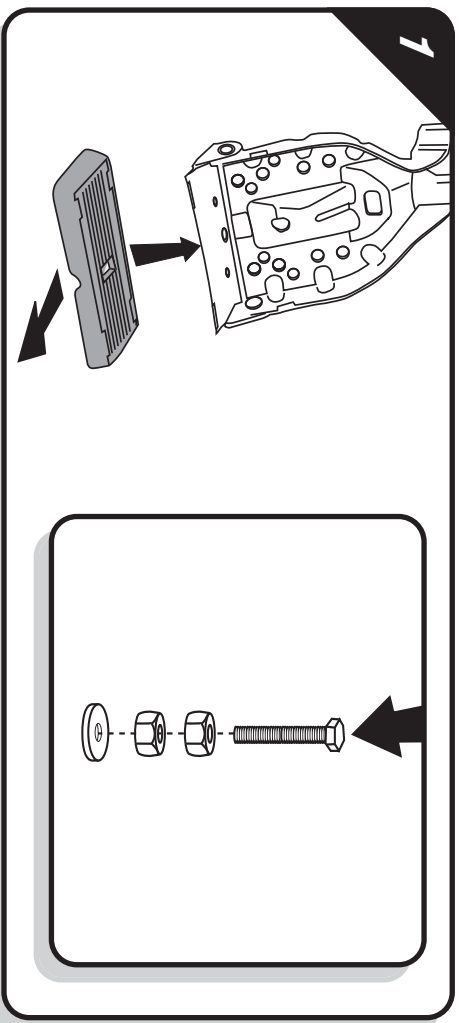


MONT BLANC®

Mont Blanc Industri UK Limited

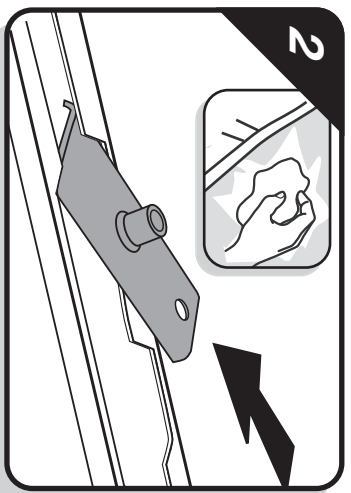
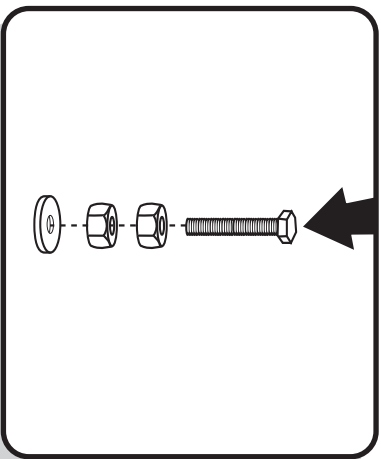
Eden Way, Pages Industrial Park, Leighton Buzzard,
Bedfordshire, LU7 4TZ England
Telephone: 01525 850800 Fax: 01525 850808
sales@montblancuk.co.uk www.montblancuk.co.uk

461006-00

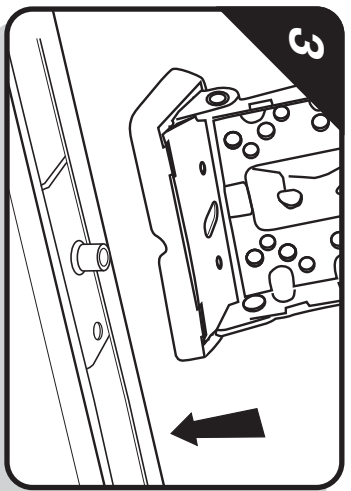


1 Attach the rubber to the roof unit of the roof bar. Make sure that the window in the rubber is towards the outside. Locate the rubbers ensuring all four mounting tabs are engaged to the foot plate.

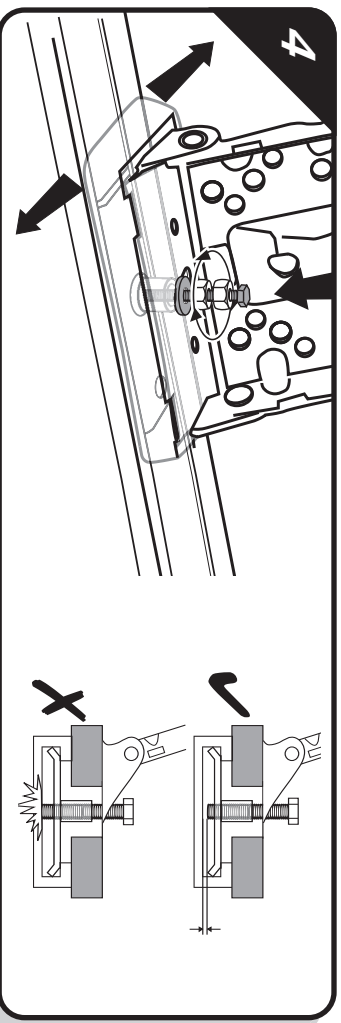
Assemble 2x nuts on M6x65 and thick washer



2 Slide the nut plate into the 'C' channel on the vehicle roof using the cut outs in the channel.

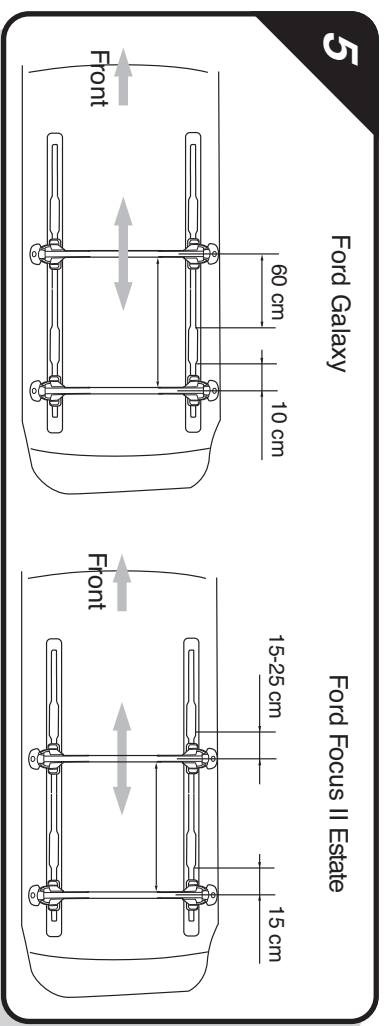


3 Position the foot over the channel and nut plate.

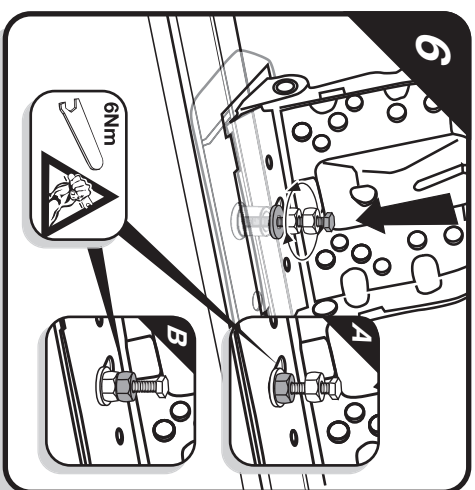


4 Tighten main M6 screw into nut plate by hand. Make sure that the threaded part of the nut plate locates within the slot in the rubber. Tighten the M6 screw until it is fully

through the nut plate but ensure that the screw does not make contact with the 'C' channel



5 Slide the roof bars in the 'C' channels to the correct position for your vehicle



6 Centralise the foot rubber over the 'C' Channel then secure the foot to the roof by tightening the lower M6 nut to the foot plate using the supplied spanner (A). Finally use the second M6 nut to lock the securing nut in position using the second supplied spanner (B).



7 Return to 414F instructions, steps 4-12 to complete roof bar fitment. Read Important Notes and Special Instructions. Retain all instructions for future reference.